

# Bowl Chopper Blades

*PRIMEEdge premium quality bowl chopper blades made to exacting standards in blade styles available for virtually every bowl chopper make and model*



**COZZINI PRIMEEdge**  
CUTTING EDGES AND SHARPENING SOLUTIONS

**PRIMEEdge** bowl chopper blades are made of high quality alloy steel, precision ground to exact bevels and polished to a sanitary finish.

## Blades available for these brands:

|               |                |            |
|---------------|----------------|------------|
| Akkord        | Diana          | Manurhin   |
| Alexanderwerk | Fatosa         | Meissner   |
| Alexandre     | Fimpel         | Muller     |
| Alpina        | Finis          | Presto     |
| Aubert        | Hely-Joly      | Rex        |
| Boss          | Hobart         | Sema       |
| Bouvard       | Iozelli        | Seydelmann |
| Buffalo       | Kilia          | Strömmen   |
| Cato          | Krämer & Grebe | Vall       |
| DesMulle      | Läska          | Villa      |

## PRIMEEdge Blades for Hobart Choppers

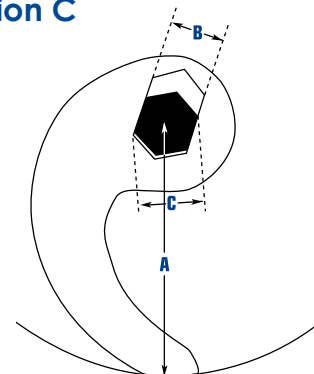
| Chopping Machine Model No. | PRIMEEdge Part No. |
|----------------------------|--------------------|
| Model 84141                | BC-HO141AC         |
| Model 84142                | BC-HO142AC         |
| Model 84141D               | BC-HO141DAC        |
| Model 9                    | BC-HO09AC          |



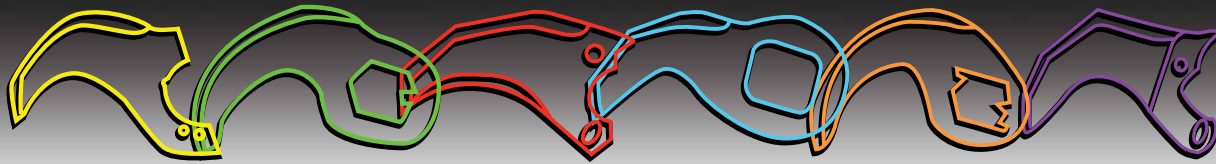
## PRIMEEdge Custom Manufactured Chopper Blades

If you use a discontinued model of bowl chopper, **PRIMEEdge** can custom-manufacture blades for you. Below you'll find all the information that our blade specialists will ask you to provide when you call 877-322-EDGE(3343)

- The make and model of your bowl chopper
- The capacity of your bowl chopper in liters
- The radius of the blade in millimeters- **Dimension A**
- The shaft diameter in millimeters- **Dimension B**
- The corner-to-corner shaft measurement in millimeters- **Dimension C**



# Bowl Chopper Blades



**PRIME**edge offers blades for systems such as Securit®, Delta, PBS, and others. **PRIME**edge has blade styles for virtually every bowl chopper make and model, in blade sizes ranging from 15 to 1500 liters. If you use a discontinued model of bowl chopper, **PRIME**edge can custom manufacture blades for you.



**Taifun® Form**



**"S" Form**



**4-Cut Form**



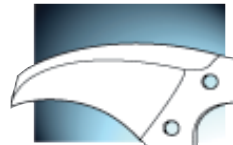
**Fuchs Form**



**Delta Form**



**Feuring Form**



**Alpina Tangential Form**



**Alpina "S4" Form**



**Krämer & Grebe High Speed 233**



**Krämer & Grebe High Speed 236**



**Krämer & Grebe High Speed 423**



**Krämer & Grebe High Speed 433**



**Laska K**



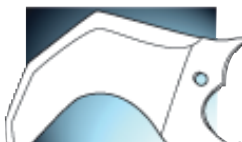
**Laska KR**



**Laska KT**



**Laska M**



**Laska M4S**



**Laska MT**



**Laska MAT**



**Seydelmann-BW**



**Seydelmann-YW**



**Seydelmann-EE**



**Seydelmann-EEB**



**Seydelmann-K**

**COZZINI**PRIME**Edge**  
CUTTING EDGES AND SHARPENING SOLUTIONS

877-322-EDGE(3343) • [primedge.com](http://primedge.com) • [sales@primedge.com](mailto:sales@primedge.com) • Fax:773-478-6940